



 **TIZOL**[®]

**RELIABLE MANUFACTURER OF
NON-COMBUSTIBLE HEAT AND SOUND
INSULATING MATERIALS AND FIREPROOF SYSTEMS
SINCE 1949**

"TIZOL is one of the recognized leaders in the production of non-combustible heat and sound insulation materials, systems of constructive fire protection, technical insulation, insulation for civil and military shipbuilding"

ANNUALLY

produce

protect

ship to

100 000

25 MLN

30

tons

square meters

dealer companies

non-combustible heat and sound insulating and fireproof materials

building structures and utilities

in more than 50 cities worldwide

INNOVATIONS

We master perfectly having no world analogues technology for production of basalt superthin fiber and non-combustible insulation based on it. The customers rates our fire protection systems as the most effective in Russia and unique for Europe.

QUALITY

The quality management system has the international certification ISO 9001: 2015. The stability of the chemical and technical-physical parameters of the products is achieved thanks to our own basalt career, accredited laboratory, modern technologies and equipment.

RELIABILITY

Founded to support the nuclear industry of the USSR, our company keeps the level of a stable partner. In the financial stability rating the plant received a high score, which confirms the profitability and adaptability to economic fluctuations.

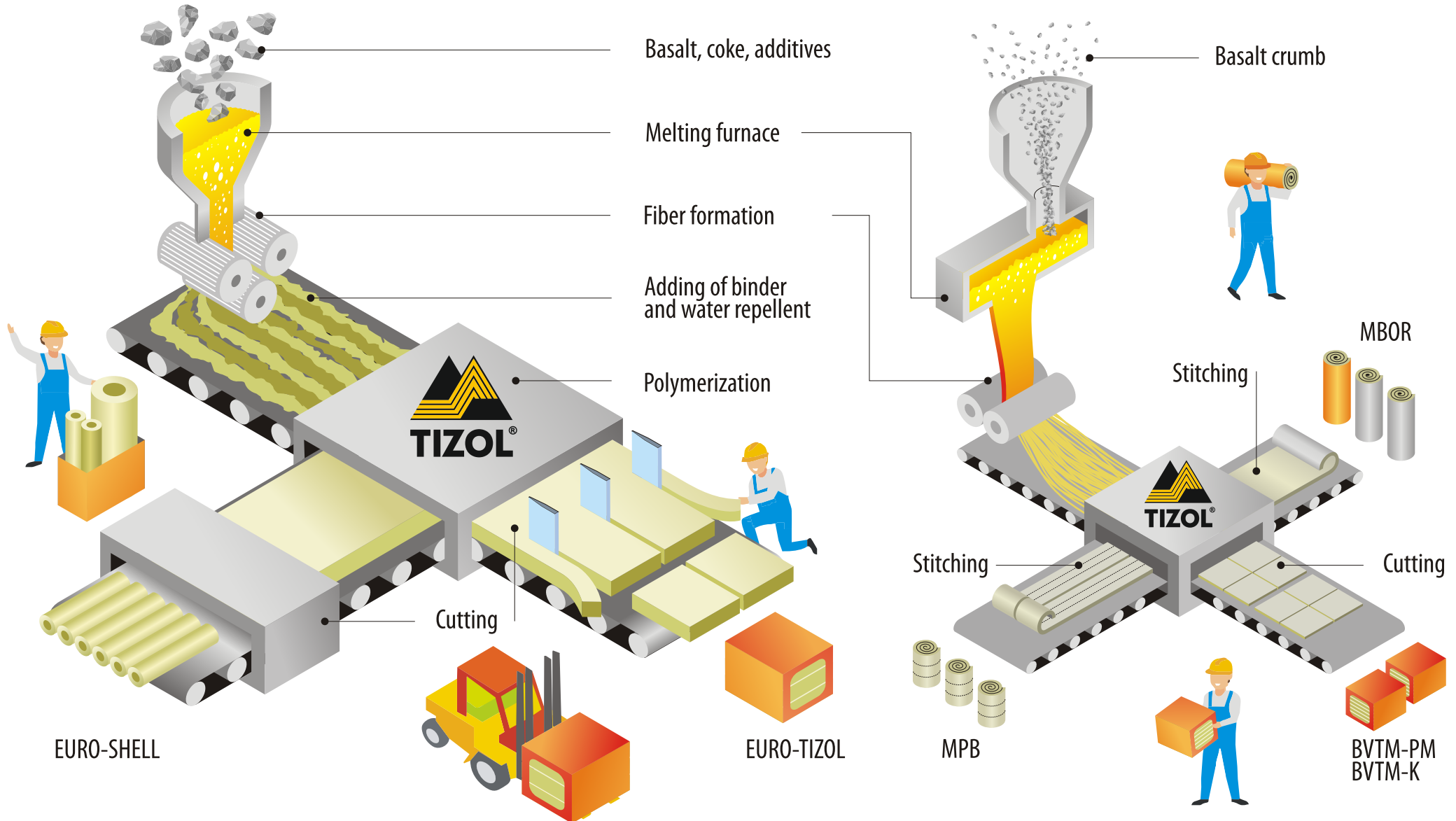
ENVIRONMENTAL FREINDLINESS

The "green" certificate proves the ecological purity of the materials produced for use in catering establishments, in children's and medical institutions.



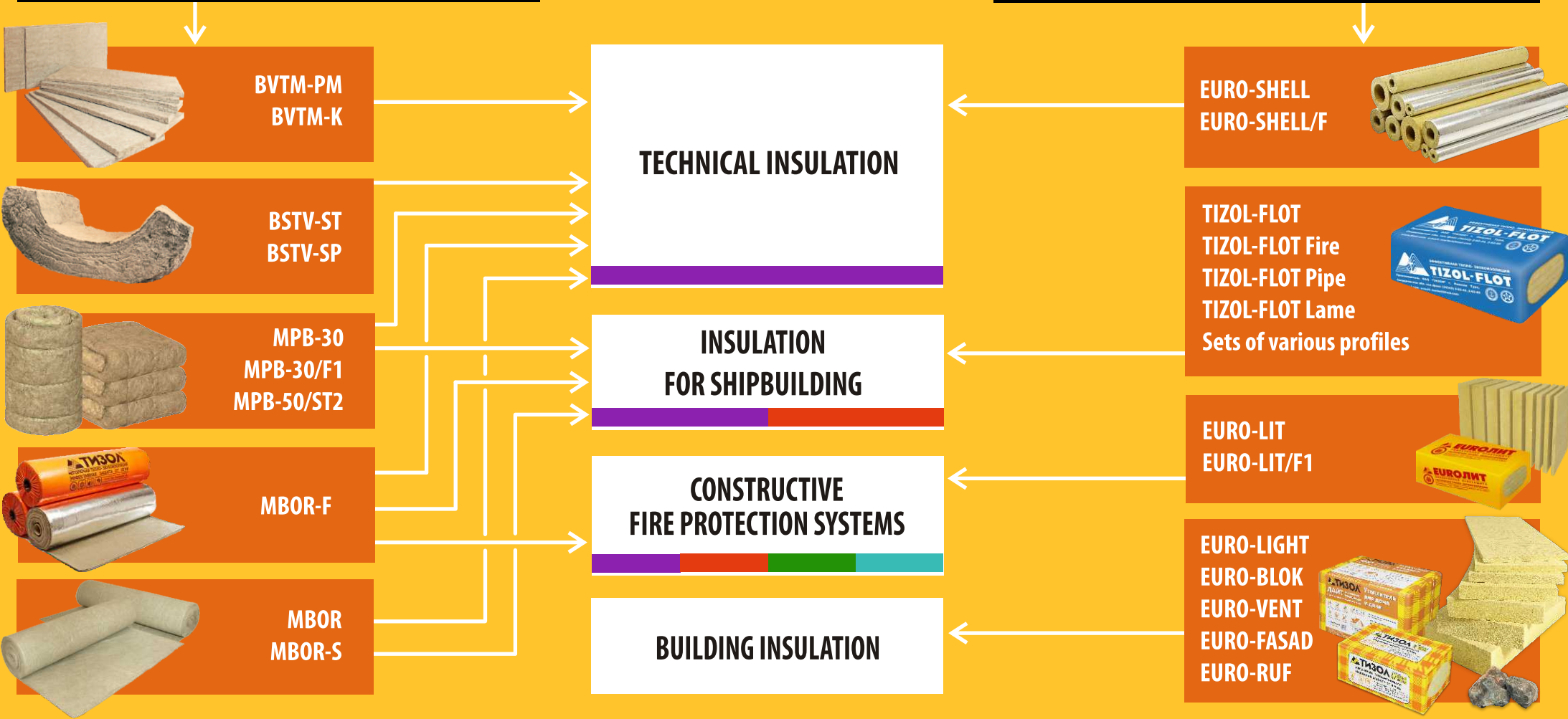
OF THIN BASALT FIBER

OF SUPER THIN BASALT FIBER



Based on super thin basalt fiber with a diameter of 1-3 microns

Based on a thin basalt fiber with a diameter of 4-15 microns



BVTM-PM
BVTM-K



BSTV-ST
BSTV-SP



MPB-30
MPB-30/F1
MPB-50/ST2



MBOR-F



MBOR
MBOR-S

TECHNICAL INSULATION

INSULATION
FOR SHIPBUILDING

CONSTRUCTIVE
FIRE PROTECTION SYSTEMS

BUILDING INSULATION

EURO-SHELL
EURO-SHELL/F



TIZOL-FLOT
TIZOL-FLOT Fire
TIZOL-FLOT Pipe
TIZOL-FLOT Lamé
Sets of various profiles



EURO-LIT
EURO-LIT/F1



EURO-LIGHT
EURO-BLOK
EURO-VENT
EURO-FASAD
EURO-RUF



Aluminum
sticky tape
"Lams"



Adhesive
composition
"PLAZAS"



Metal
anchor
fastener



Dry fireproof
mortar mix "GeoMix"

Dry fireproof primer
dispersion mix
"GeoMix" (Primer)

EURO-TIZOL plates of universal purpose for heat and sound insulation of all types of building structures, high-rise buildings, low-rise housing construction and industrial equipment

PRODUCED (tons/year)

60 000

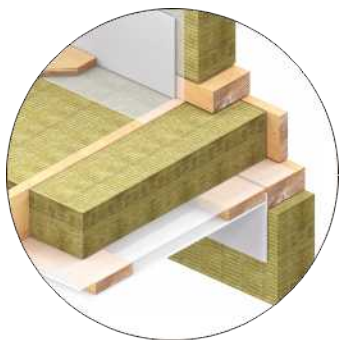
DENSITY (kg/m³)

25-210

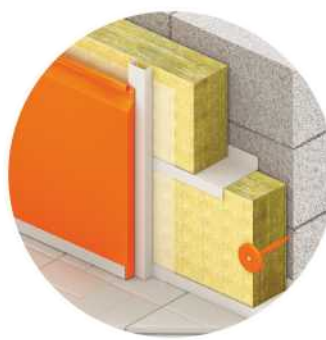
THICKNESS (mm)

15-250

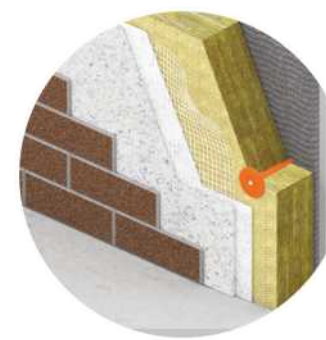
Application area:



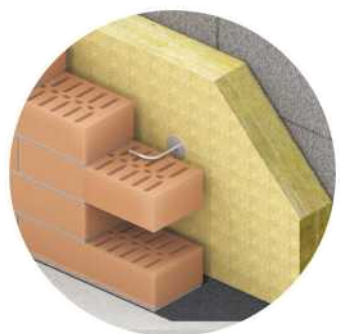
Pitched / flat roofs,
floors, framed walls,
partitions, overlaps



Hinged
ventilated facades



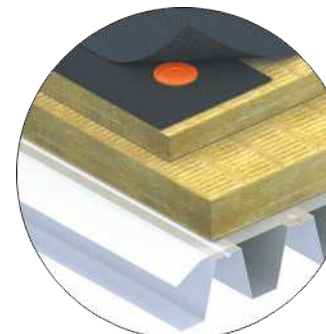
Facades with
a thin plaster
layer



Layered
masonry walls



Metal
sandwich panels

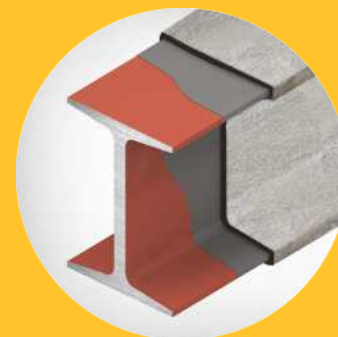


Flat roofs,
interfloor
overlappings

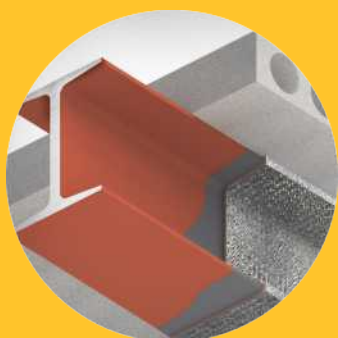
PROTECTION OF METAL STRUCTURES



"ET METAL" SYSTEM
increased fire resistance
from 15 to 240 minutes



GEOMIX COATING
increased fire resistance
from 15 to 240 minutes



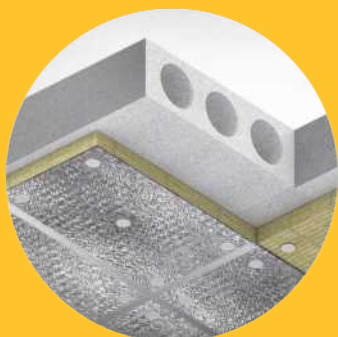
"ET PROFILE" SYSTEM
increased fire resistance
of complex profiles
from 15 to 120 min

UNIQUE
DEVELOPMENT
FOR RUSSIA



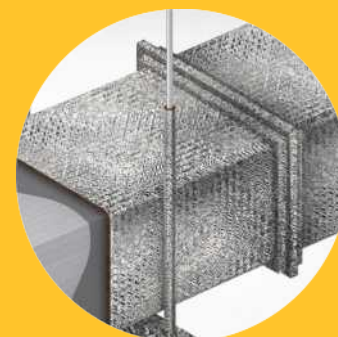
"ET LSTK" SYSTEM
increased fire resistance of light
steel thin-walled structures
from 15 to 90 minutes

PROTECTION OF REINFORCED CONCRETE STRUCTURES



"ET BETON" SYSTEM
increased fire resistance
of monolithic and hollow
reinforced concrete structures
from 90 to 240 minutes

PROTECTION OF AIR DUCTS



"ET VENT" SYSTEM
increase of fire resistance
of ventilation and smoke
removal ducts from 30 to 240 min

It is used in chemical, gas, oil refining industry, energy sector, heating networks as heat and sound insulation, fireprotection, vibration insulation



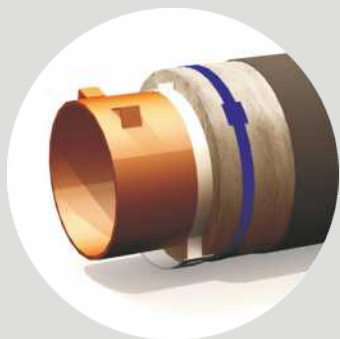
EURO-SHELL

mineral wool cylinders
for heat and sound insulation
with or without foil coating



MBOR basalt fireproof rolled material

absolutely eco-friendly
non-flammable durable
basalt "batting", available
in a thickness of 5-26 mm



MPB basalt stitched mats

made of super-thin staple fiber,
up to 3 mkm in diameter

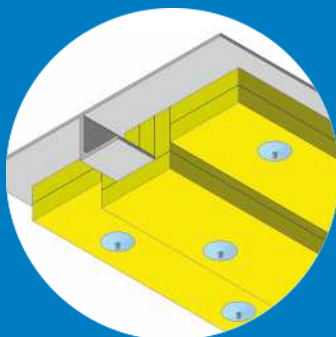


PLATE SOFT BVTM-PM, CARDBOARD BVTM-K

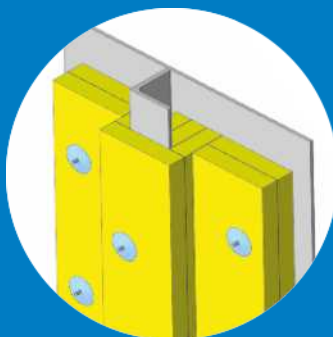
plate basalt fiber insulation
material of superthin staple fiber



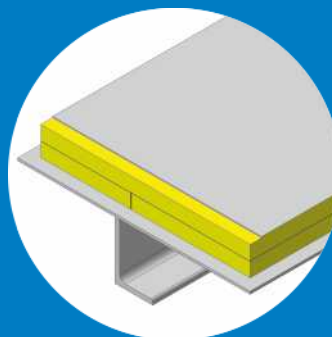
INSULATION
FOR FIREPROOF STEEL
AND ALUMINUM
STRUCTURES



Deck A-30, A-60



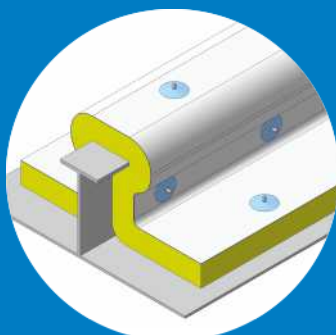
Partition A-30, A-60



Floating floor A-60

TIZOL FLOT FIRE
mineral wool fireproof plates

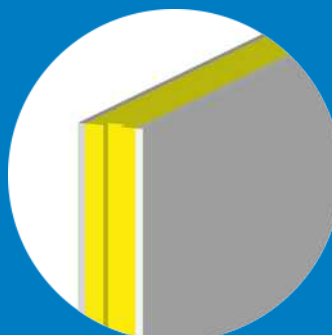
HEAT- SOUND INSULATION
SETS OF VARIOUS PROFILE:
ANGLE ELEMENT,
T-PROFILE, BULB SECTION



Hull structures



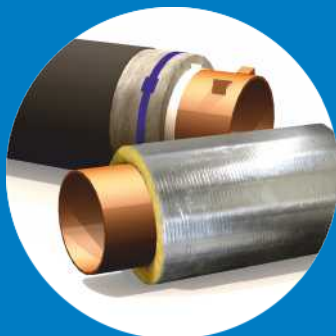
Connection joints



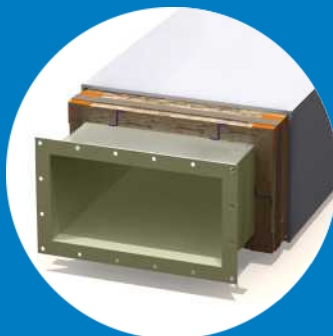
Panels

TIZOL-FLOT
mineral wool plates
TIZOL-FLOT LAMELLA
bars from mineral wool plates

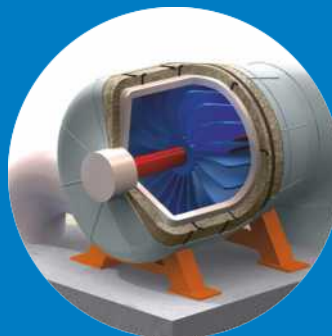
ACOUSTIC
VIBRATION RESISTANT
TECHNICAL INSULATION



Pipelines



Air ducts



Equipment

MBOR
basalt fireproof rolled material
MPB
basalt stitched mats
TIZOL-FLOT Pipe
mineral wool cylinders



6 main Olympic facilities,
Sochi



"Mercury City Tower"
international business center,
Moscow



Moscow Metro



The tallest building
in Europe and Russia
"Lakhta center", St. Petersburg



Innovation Center
"Skolkovo", Moscow



"Zenit-Arena" Stadium,
St. Petersburg



"EXPO-2017",
Astana, Kazakhstan



Bushehr NPP, Iran



Tianwan NPP, China



Corvette "Stereushchy",
the basis of the Russian Navy
in the near sea zone

More than 10,000 facilities in Russia, Kazakhstan, Kyrgyzstan, Azerbaijan, Ukraine, China use «TIZOL» insulation: administrative and public buildings, housing, shopping and entertainment complexes, business centers, hotels, Industrial and many other facilities

The products of JSC "TIZOL" is presented by dealers in Russia, Kazakhstan, Kyrgyzstan, Azerbaijan, the Ukraine, China.
Contacts of dealer network are on the website www.tizol.com
Delivery can be arranged anywhere in the world.



**We are open to mutually beneficial cooperation,
exchange of experience and training of specialists.**



JSC «TIZOL», 59, Malyshev St., Nizhnyaya Tura, Sverdlovsk region, Russia, phone: 8 (800) 301-41-14

building insulation
+7 (34342) 2-63-11 (12-14)
market@tizol.com

fire protection
2-62-70
oom@tizol.com

technical insulation
2-62-05
oti@tizol.com

insulation for shipbuilding
2-62-05
flot@tizol.com

www.tizol.com

flot.tizol.com